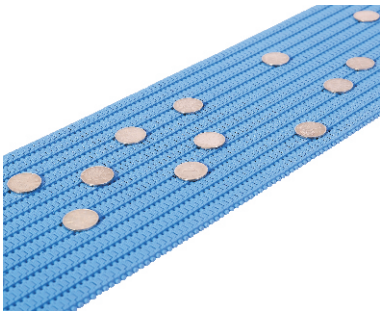
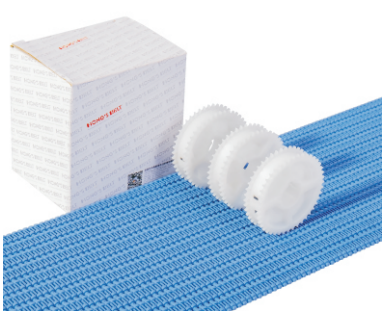
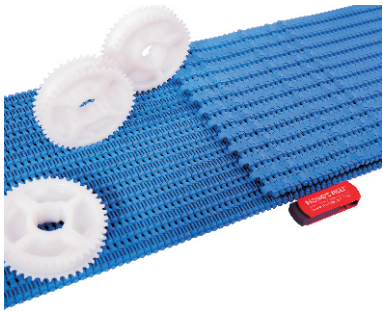
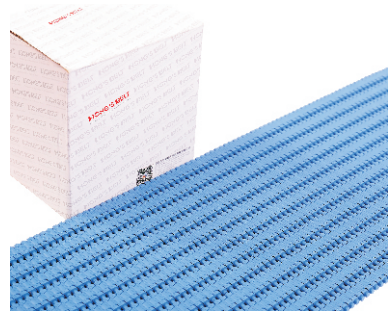
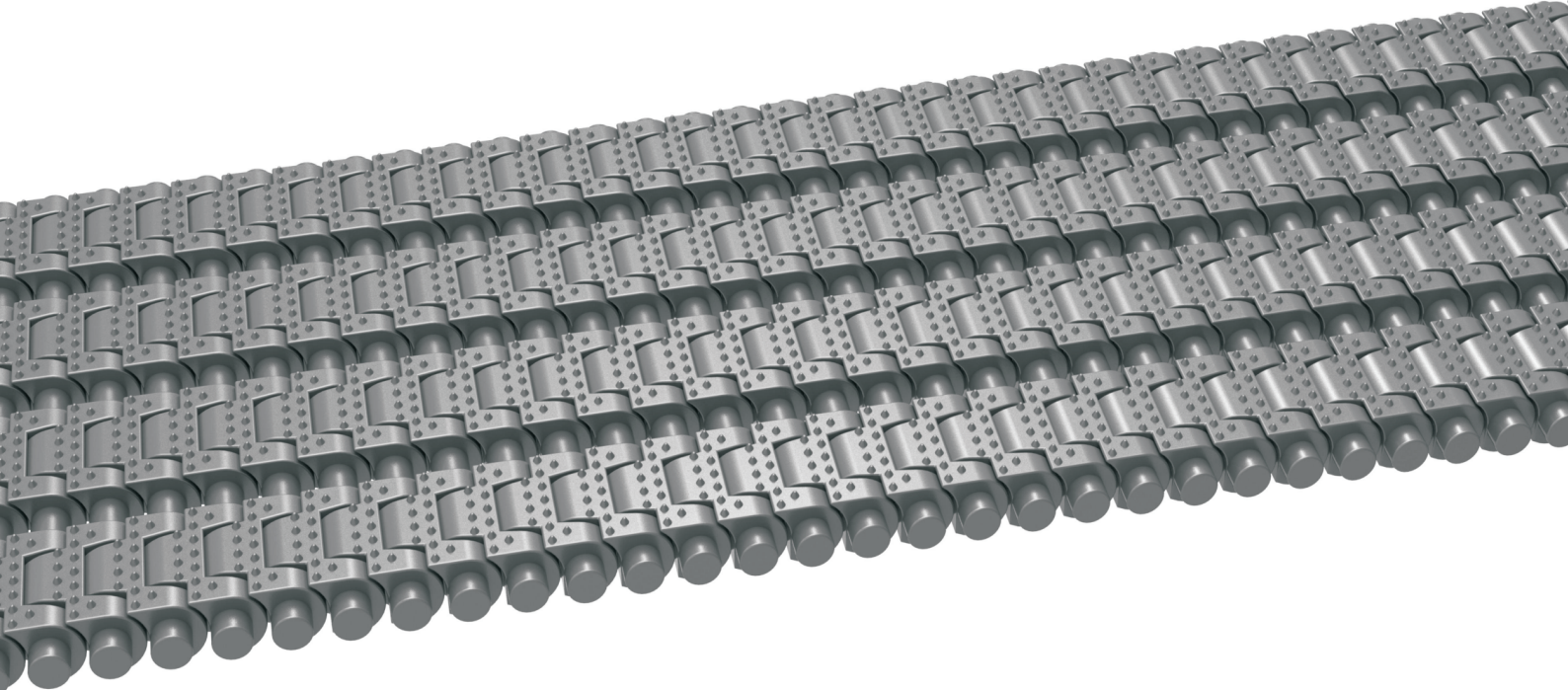


# HS-4000B Technical Data Sheet



Pitch: 5.0mm Minimum Width: 60mm Open Area: 8% Approved: FDA Rod: No Flight: No Side Guard: No Curve: No	
---	--

## Data

Belt Material	Belt Strength			Temperature		Belt Weight
	Straight		Curve	°C (min.)	°C (max.)	(Kg/M <sup>2</sup> )
	Kg/M(BW)	N/M(BW)				
Acetal	250	2500	--	- 40	80	5.0

BW – Belt Width

## Color Table

Polypropylene					Polyethylene					Acetal					Nylon				
W	G	N	DB	B	W	G	N	DB	B	W	G	N	DB	B	W	G	N	DB	B

W-White, G-Gray, N-Nature, DB-Dark brown, B-Blue

## Friction Table

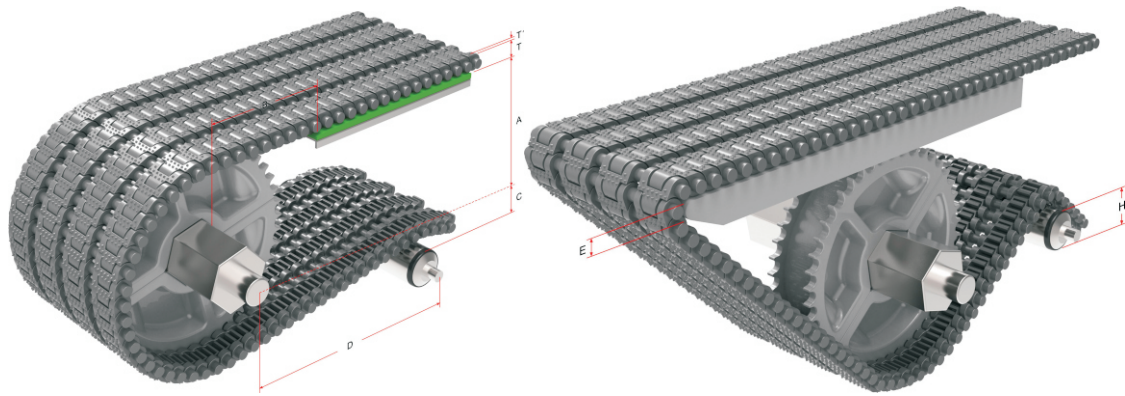
Belt Material	Friction Wear strips & Products							
	UHMW	HDPE	Steel	Glass	SUS	Plastic	Cardboard	Aluminum
Polypropylene	0.32	0.24	0.15	0.09	0.13	0.08	0.15	0.25
Polyethylene	0.13	0.11	0.26	0.19	0.31	0.16	0.21	0.41
Acetal	0.11	0.09	0.27	0.16	0.26	0.15	0.19	0.28
Nylon	0.18	0.13	0.25	0.16	0.26	0.16	0.19	0.27

SUS – Stainless Steel

## Equivalent type with other Brand

Brand Name	Intralox	UNI	Rexnord	MCC	Habasit	KVP
Series & Type						

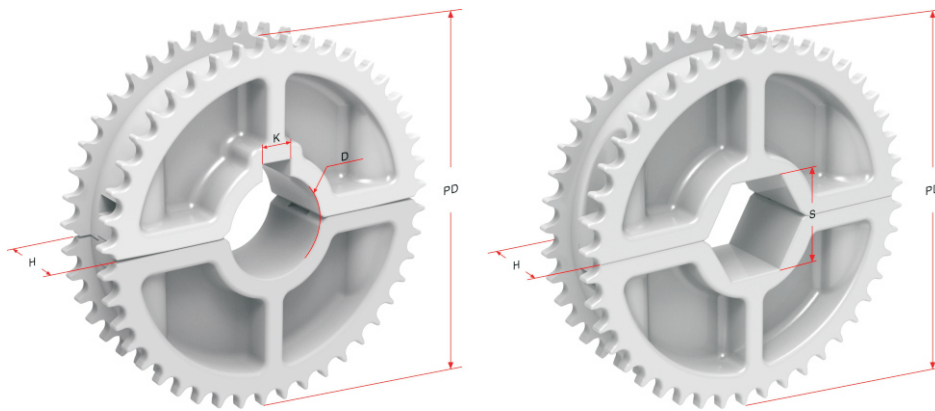
The above content is only for reference.



### Conveyor Frame Dimensions

Unit: mm

No. Teeth	A ( Min.)	B ( Min.)	C ( Max.)	D ( Min.)	E ( Min.)	H ( Min.)	T	T1
44	33	46	34	50	Ø 10	Ø 20	6	0.5



### Sprocket Dimensions

Unit: mm

No. Teeth	PD	S	D	H	K
44-Split	72	19	20	17.5	6X6